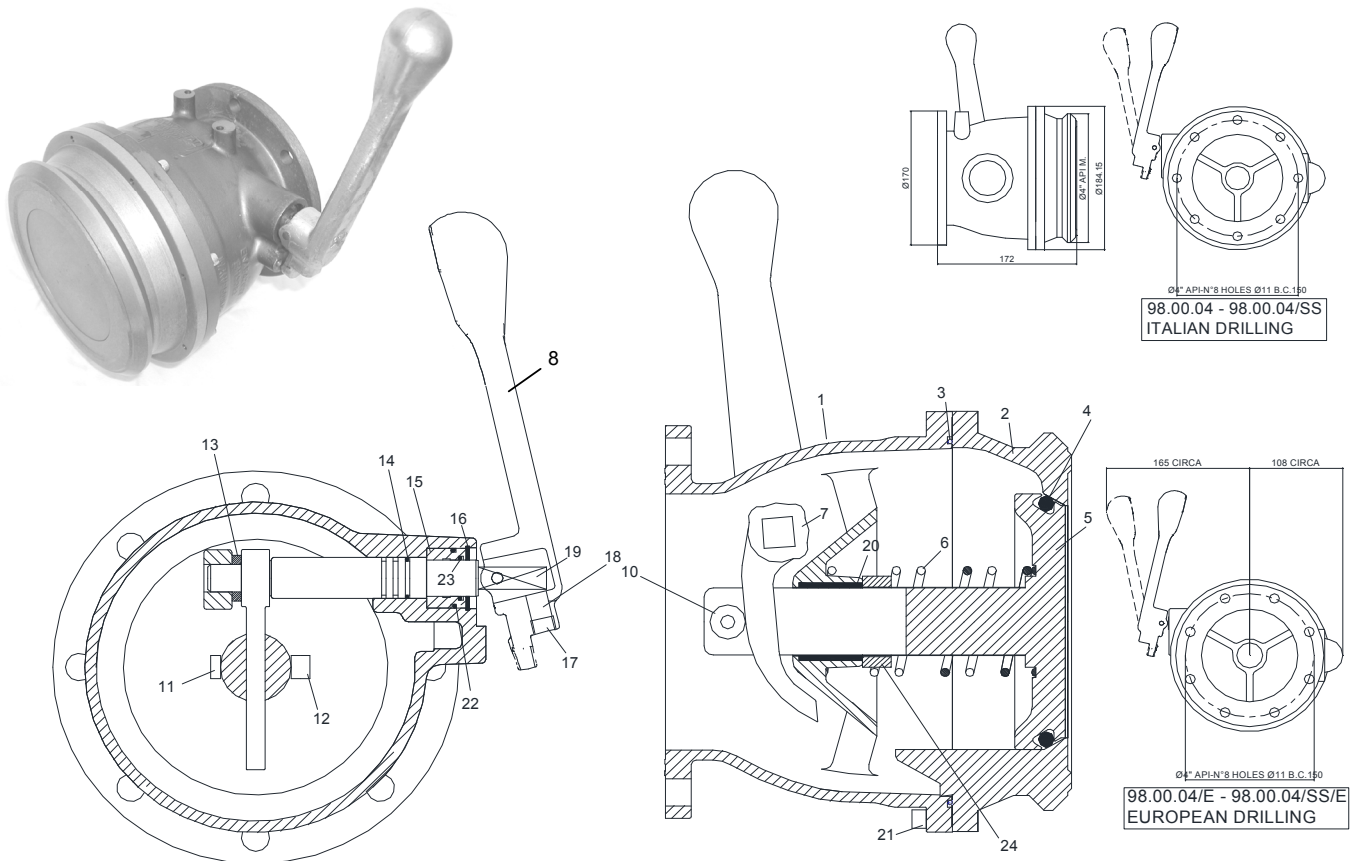


COUPLER M.4" API FOR BOTTOM LOADING WITH SIGHT GLASS CODE 98.00.04(E)  
 COUPLER M.4" API FOR BOTTOM LOADING WITHOUT SIGHT GLASS CODE 98.00.04/SS(E)



Zastrzegamy sobie możliwość wprowadzania zmian w trakcie produkcji.

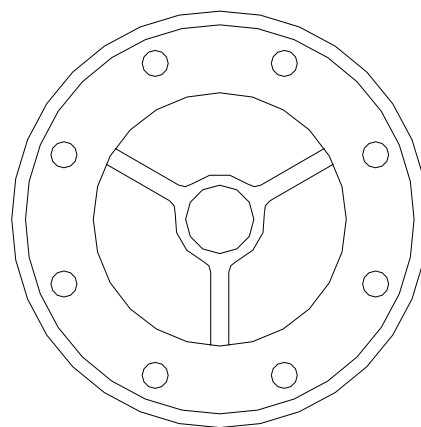
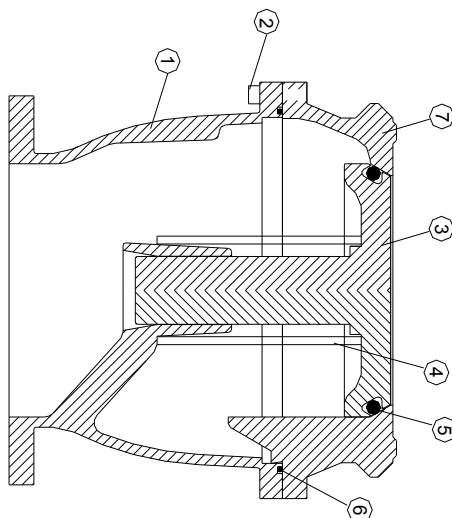
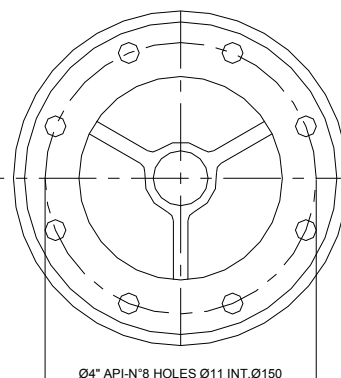
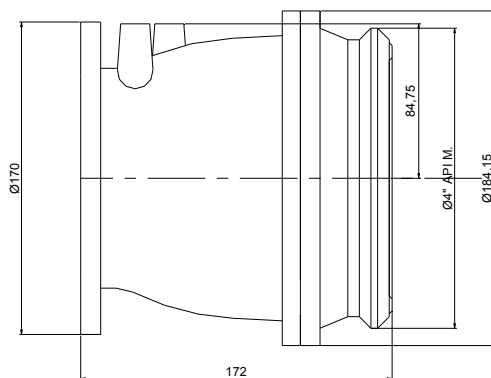
POZ	OPIS	PZ	TWORZYWO	KOD
1	BODY WITH EYE GLASS	1	ALUMINIUM	98.13.64
1	BODY WITHOUT EYE GLASS	1	ALUMINIUM	98.13.64/SS
2	BODY M.4" API	1	ALUMINIUM	98.13.67
3	ORING	1	NBR	98.60.85
4	ORING	1	VITON	98.60.65
5	OBTURATOR	1	ALUMINIUM	98.13.65
6	SPRING	1	STAL NIERDZEWNA	98.20.55
7	LEVER	1	MOSIADZ	98.13.66
8	LEVER	1	ALUMINIUM	98.13.69
10	BUSH	1	STAL NIERDZEWNA	98.41.67
11	SCREW	1	STAL NIERDZEWNA	98.71.07
12	NUT	1	STAL NIERDZEWNA	98.71.08
13	PODKŁADKA	1	BRASS ALLOY	98.41.64
14	ORING	1	NBR	98.60.67
15	TULEJA	1	MOSIADZ	98.41.62
16	PIERŚCIEN ZABEZPIEZAJĄCY	1	STAL	10.80.22
17	SCREW	1	STAL NIERDZEWNA	98.71.29/A2
18	SPRING	1	STAL NIERDZEWNA	51.20.25
19	BOLEC	1	STAL NIERDZEWNA	98.41.68
20	TULEJA	1	STAL	98.50.02
21	SCREW	8	STAL OCYNKOWANA	98.71.27
22	ORING	1	VITON	98.60.09
23	ORING	1	VITON	98.60.08
24	TULEJA	1	ALUMINIUM	98.41.04
<b>SIGHT GLASS GROUP:</b>				
	SIGHT GLASS	1	GRILAMID TR90	30.50.04/1
	GASKET	2	NBR	30.30.12
	SEEGER	1	STAL	97.80.16
	PODKŁADKA	1	ALUMINIUM	99.41.55

COUPLER M.4" API FOR BOTTOM LOADING WITHOUT LEVER

CODE **98.00.04/SM/E**

COUPLER M.4" API FOR BOTTOM LOADING WITHOUT LEVER WITHOUT EYE GLASS

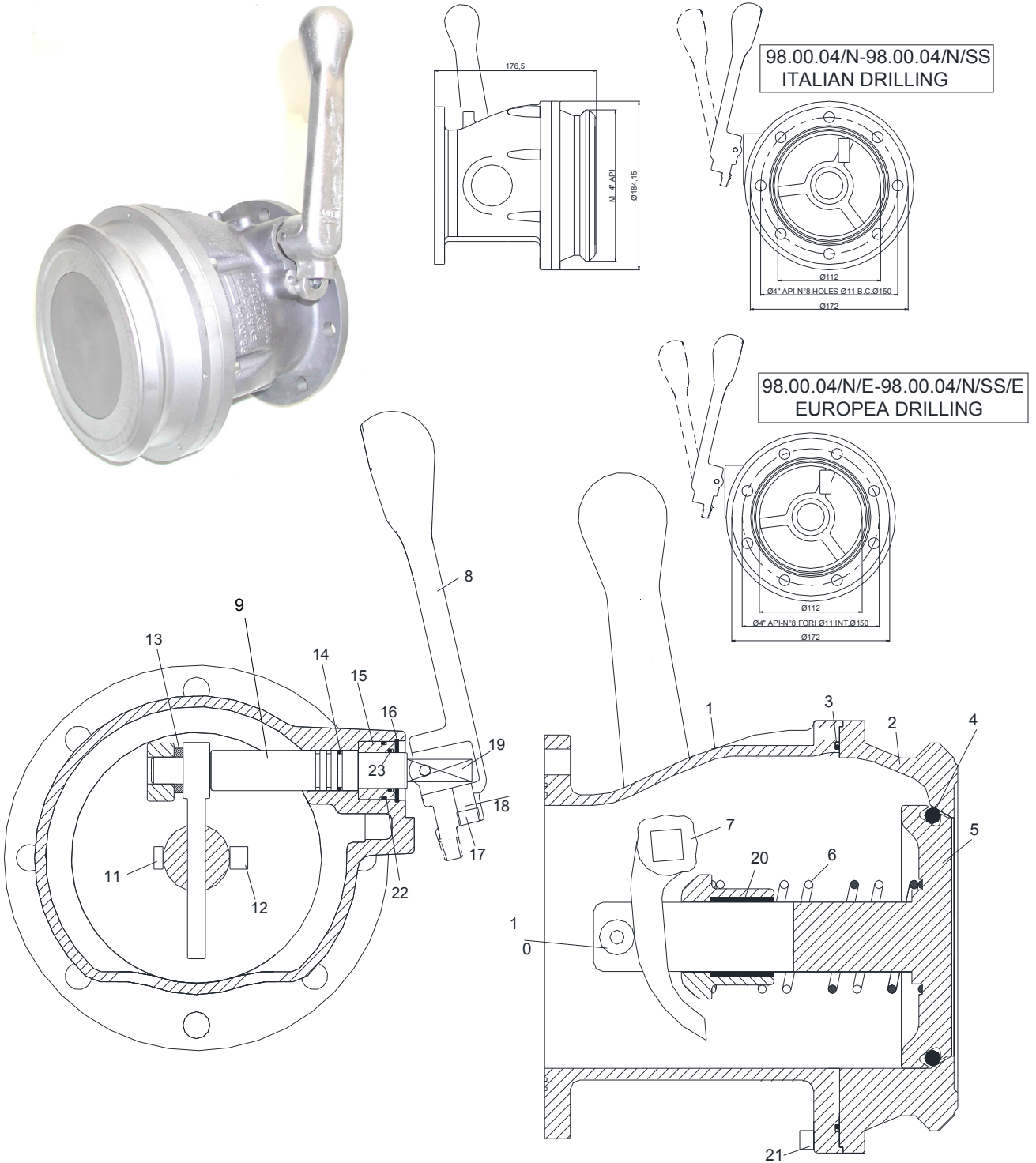
CODE **98.00.04/SMSS/E**



POZ.	OPIS	PZ	TWORZYWO	KOD
1	BODY WITHOUT – WITH EYE GLASS	1	ALUMINIUM	98.13.64/SM/E
1	BODY WITHOUT – WITHOUT EYE GLASS	1	ALUMINIUM	98.13.64/SMSS/E
2	SCREW	8	STAL OCYNKOWANA	98.71.27
3	OBTURATOR	1	ALUMINIUM	98.13.65/SM
4	SPRING	1	STAL NIERDZEWNA	98.20.55/35
5	ORING	1	VITON	98.60.65
6	ORING	1	ANTIPETROL SUPER RUBBER	98.60.66
7	CONNECTION BODY	1	ALUMINIUM	98.13.67
<b>GLASS EYE GROUP:</b>				
	EYE GLASS	1		30.50.04
	GASKET	1		30.30.12
	PIERŚCIEN ZABEZPIEZAJĄCY	1		97.80.16
	PODKŁADKA	1		99.41.55
	ORING	1		10.60.78

4" API COUPLER FOR BOTTOM LOADING AND UNLOADING  
ANTI-POLLUTION WITH HANDLE CODE **98.00.04/N/(E)**

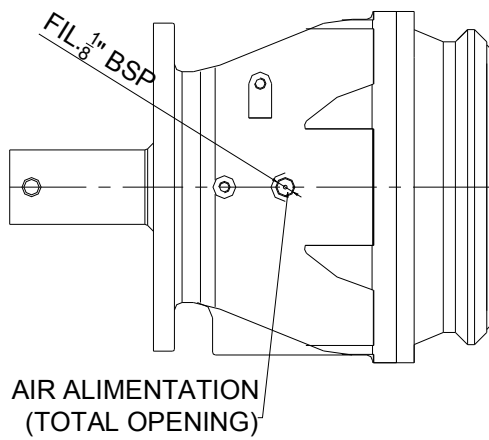
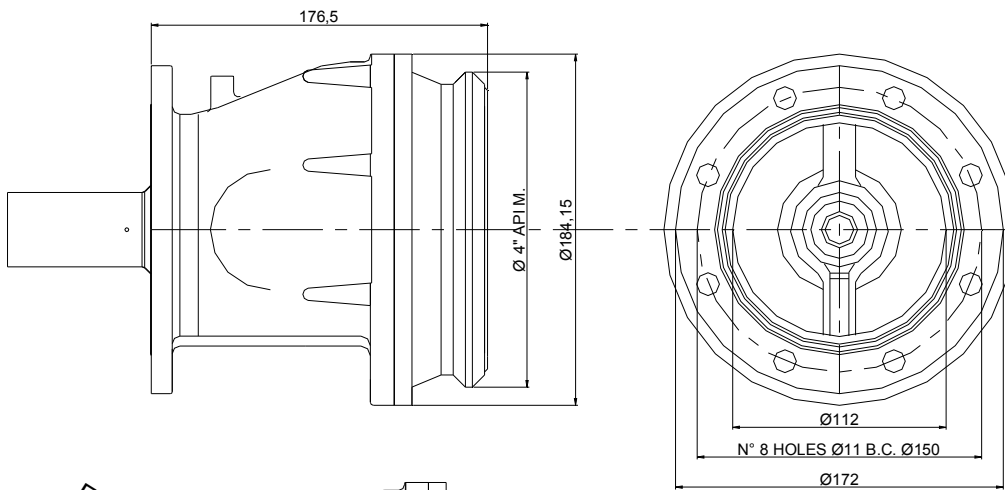
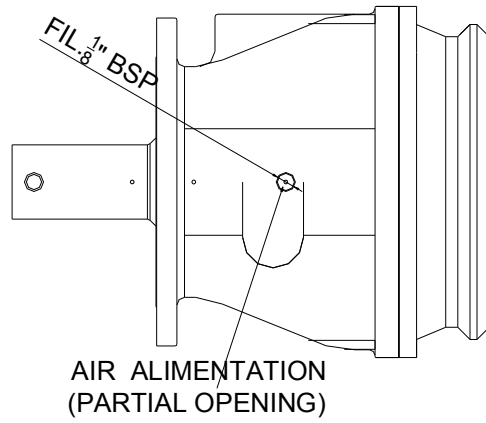
4" API COUPLER FOR BOTTOM LOADING AND UNLOADING  
ANTI-POLLUTION WITH HANDLE AND WITHOUT SIGHT-GLASS CODE **98.00.04/N/SS/(E)**



Zastrzegamy sobie możliwość wprowadzania zmian w trakcie produkcji.

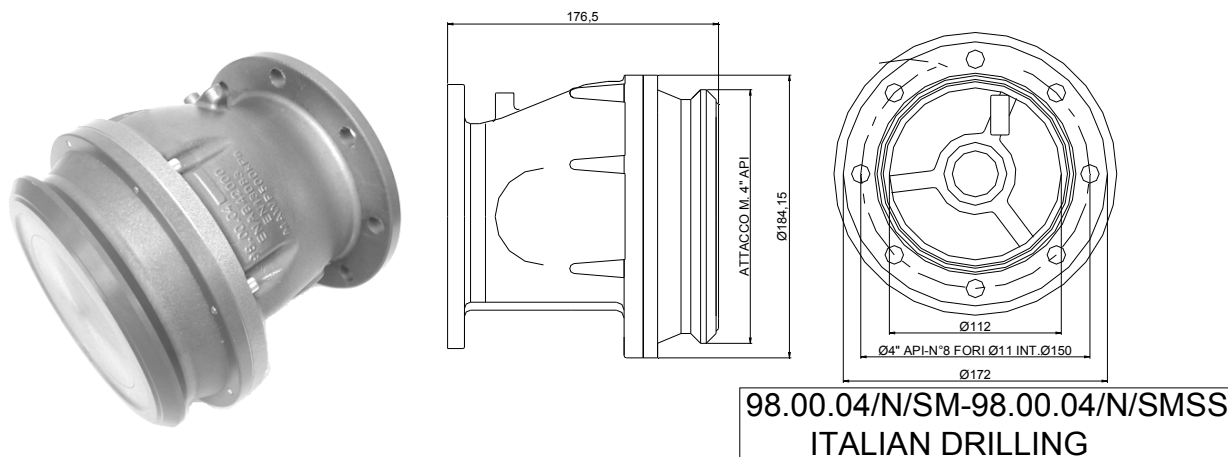
POZ.	OPIS	PZ	TWORZYWO	KOD
1	BODY WITH GLASSEYE	1	ALUMINIUM	98.13.64/N
2	BODY M.4" API	1	ALUMINIUM	98.13.67/P
3	ORING	1	ANTIPETROL SUPER RUBBER	98.60.85
4	ORING	1	VITON	98.60.65
5	OBTURATOR	1	ALUMINIUM	98.13.65
6	SPRING	1	STAL NIERDZEWNA	98.20.55
7	LEVER	1	MOSIĄDZ	98.13.66
8	DRIVING LEVER	1	ALUMINIUM	98.13.69/ALL
9	TRZON	1	STAL NIERDZEWNA	98.41.61
10	TULEJA	1	STAL NIERDZEWNA	98.41.67
11	SCREW	1	STAL NIERDZEWNA	98.71.07
12	NUT	1	STAL NIERDZEWNA	98.71.08
13	PODKŁADKA	1	MOSIĄDZ	98.41.64
14	ORING	1	VITON	98.60.67
15	TULEJA	1	MOSIĄDZ	98.41.62
16	SEEGER	1	STAL	10.80.22
17	SCREW	1	STAL NIERDZEWNA	98.71.29/A2
18	SPRING	1	STAL NIERDZEWNA	51.20.25
19	BOLEC	1	STAL NIERDZEWNA	98.41.68
20	TULEJA	2	STAL	98.50.30-98.50.31
21	SCREW	8	STAL OCYNKOWANA	98.71.27
22	ORING	1	VITON	98.60.09
23	ORING	1	VITON	98.60.08
24	BOLEC	1	STAL NIERDZEWNA	98.71.73
	<b>SIGHT EYE GROUP:</b>			
	SIGHT GLASS	1	GRILAMID	30.50.04/1
	GASKET	2		30.30.12
	SEEGER	1		97.80.16
	PODKŁADKA	1		99.41.55 C/F

ANTI-POLLUTION WITHOUT SIGHT-GLASS CODE 98.00.04/N/SS/P/E

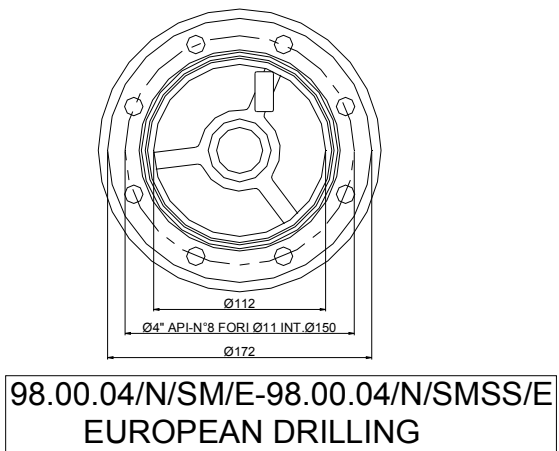
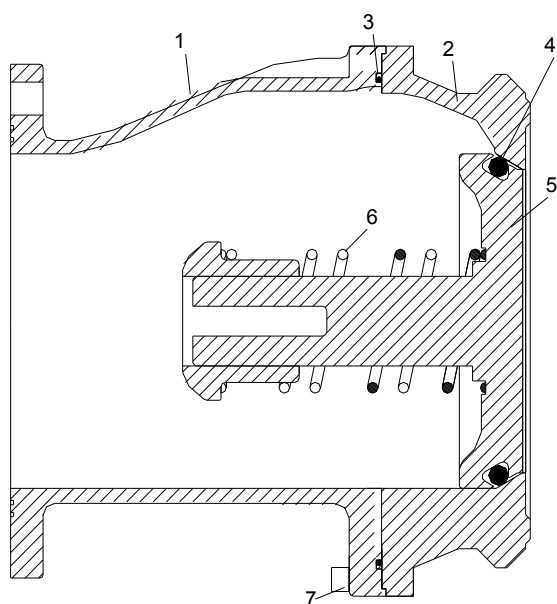


4" API COUPLER FOR BOTTOM LOADING  
ANTI-POLLUTION WITHOUT HANDLE-WITH SIGHT-GLASS CODE 98.00.04/N/SM/(E)

4" API COUPLER FOR BOTTOM LOADING  
ANTI-POLLUTION WITHOUT HANDLE AND WITHOUT SIGHT-GLASS CODE 98.00.04/N/SMSS/(E)



98.00.04/N/SM-98.00.04/N/SMSS  
ITALIAN DRILLING



98.00.04/N/SM/E-98.00.04/N/SMSS/E  
EUROPEAN DRILLING

POZ.	OPIS	PZ	TWORZYWO	KOD
1	BODY WITH SIGHT-GLASS	1	ALUMINIUM	98.13.64/N/SM
1	BODY WITHOUT SIGHT-GLASS	1	ALUMINIUM	98.13.64/N/SMSS
2	CONNECTING BODY	1	ALUMINIUM	98.13.67/P
3	ORING	1	ANTIPETROL SUPER RUBBER	98.60.66
4	ORING	1	VITON	98.60.65
5	OBTURATOR	1	ALUMINIUM	98.13.65/SM
6	SPRING	1	STAL NIERDZEWNA	98.20.55/35
7	SCREW	8	COATED STEEL	98.71.27