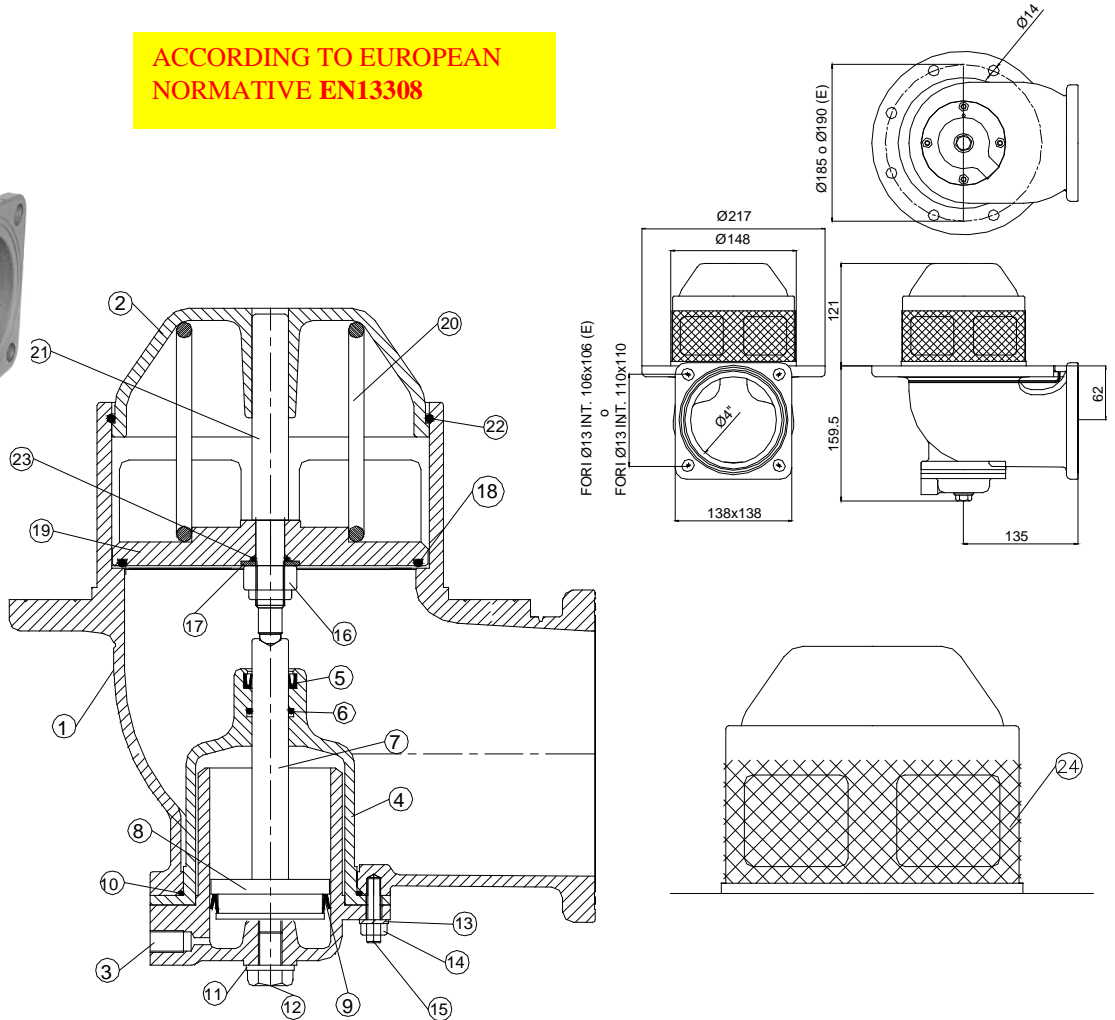


PNEUMATIC FOOTVALVE 4" TO 5"

CODE **89.00.05 (E)** CODE **89.00.05/F (E)** (WITH STAINLESS STEEL FILTER)



**ACCORDING TO EUROPEAN
NORMATIVE EN13308**



POS.	DESCRIPTION	PZ	MATERIAL	CODE
1	BODY	1	ALLUMINIUM ALLOY	89.13.54/5
2	COVER	1	ALLUMINIUM ALLOY	89.13.47
3	CYLINDER LINER	1	ALLUMINIUM ALLOY	89.13.52
4	CYLINDER	1	ALLUMINIUM ALLOY	89.13.53
5	GASKET	1	VITON	82.30.53
6	O-RING	1	VITON	26.60.26
7	CONTROL PIN	1	STAINLESS STEEL	89.42.03
8	PISTON	1	ALLUMINIUM ALLOY	89.42.02
9	GASKET	1	VITON	26.60.27
10	O-RING	1	ANTIPETROL SUPER RUBBER	26.60.31
11	WASHER	1	COPPER	26.70.42
12	SCREW	1	ZINCATED STEEL	26.70.03
13	WASHER	4	ZINCATED STEEL	56.70.41
14	NUT	4	ZINCATED STEEL	26.70.57
15	SCREW	4	ZINCATED STEEL	26.70.29
16	NUT	1	ZINCATED STEEL	20.70.70
17	WASHER	1	BRONZE	97.41.87
18	O-RING	1	VITON	97.60.73/V
19	OBTURATOR	1	ALLUMINIUM ALLOY	89.13.55
20	SPRING	1	STAINLESS STEEL	21.20.06
21	PIN	1	STAINLESS STEEL	89.42.05
22	COMPRESION RING	1	STAINLESS STEEL	89.20.44
23	O-RING	1	ANTIPETROL SUPER RUBBER	82.60.30
24	FILTER	1	STAINLESS STEEL	89.50.74